

# EVOS

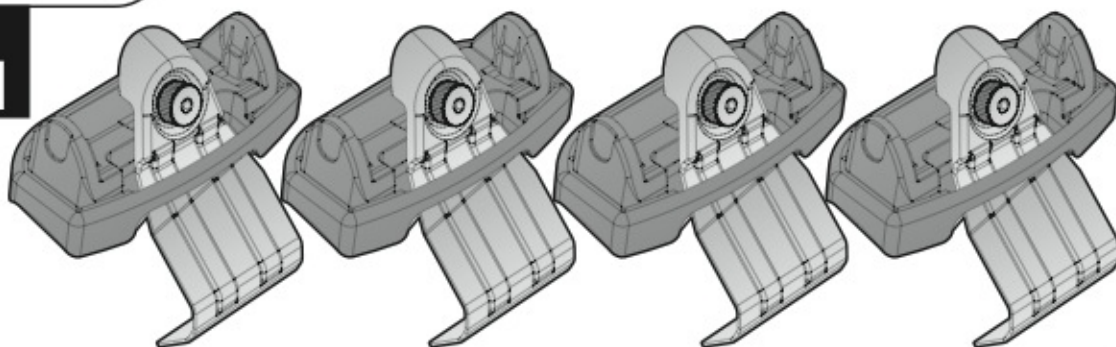
## NORDRIVE<sup>®</sup>

TRANSPORT SOLUTIONS

### LAND ROVER DISCOVERY SPORT

2008  
2/15 →

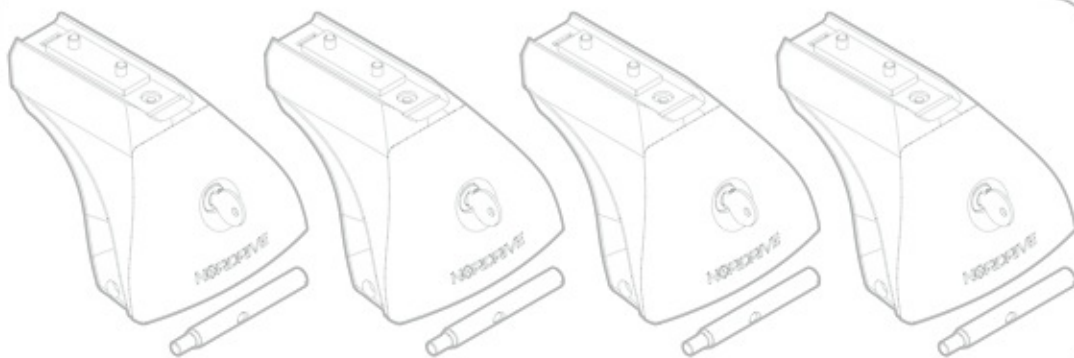
Art.  
**N21191**



**C**

+

Art. **N20001**



**B**

+

Art. **N15021**

**L**



**A**

ACCIAIO  
Steel

=



Art. **N15026**

**L**



**A**

ALLUMINIO  
Aluminium

=



Art. **N15076**

**L**



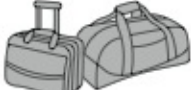


**A**

ALLUMINIO  
Aluminium

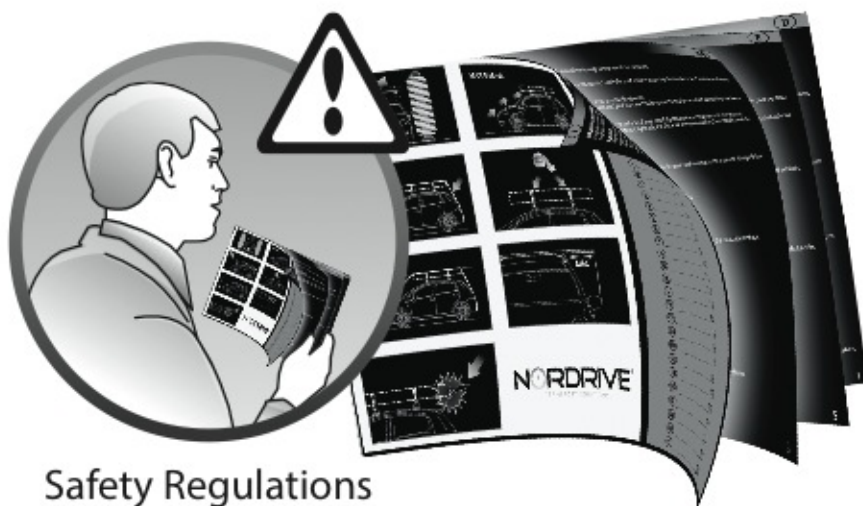
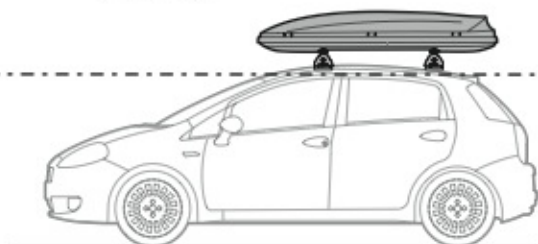
=



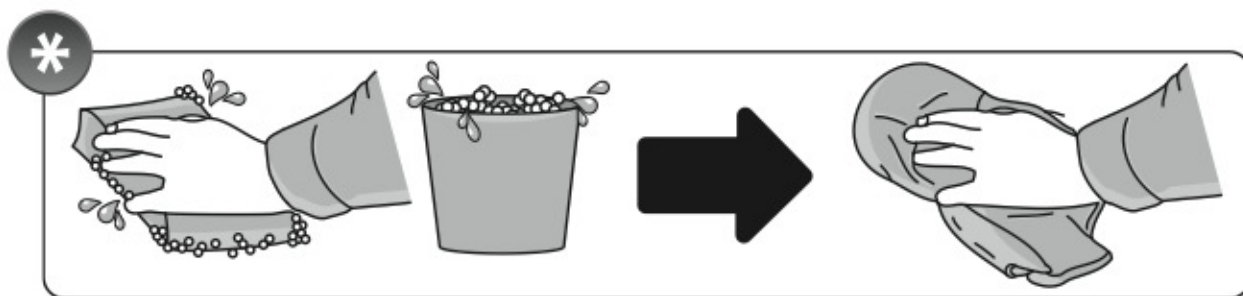
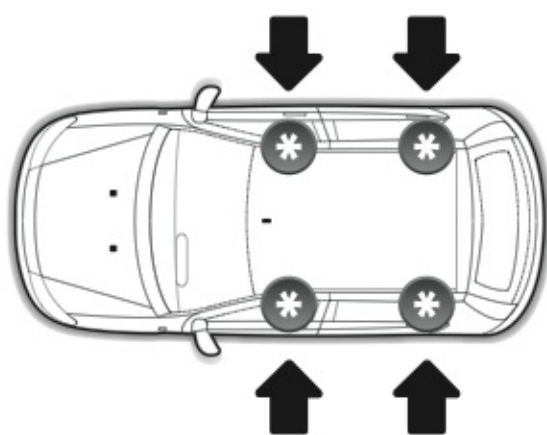
 +  +  = max: **50kg**



max:  
**???**kg



Safety Regulations

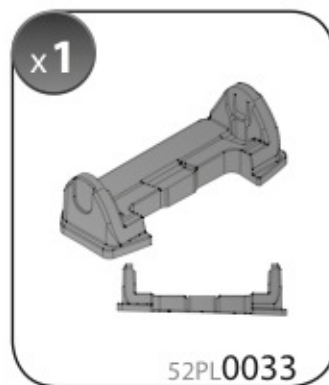
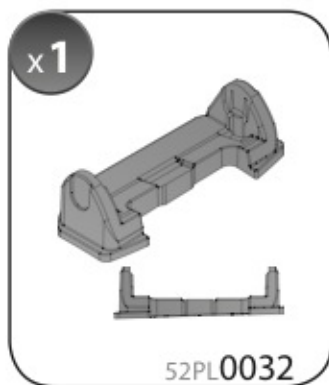
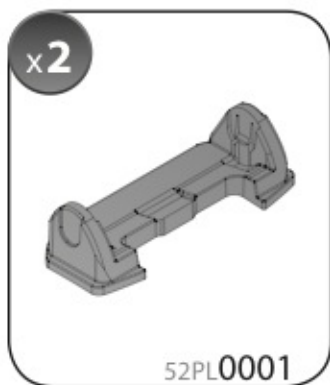
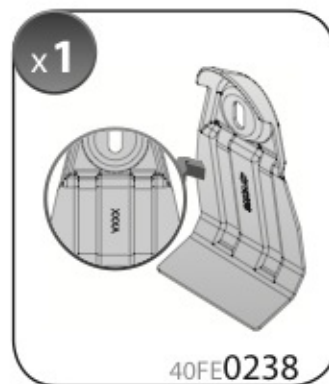
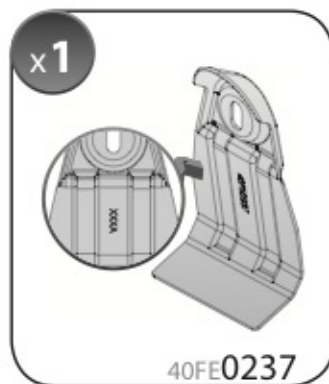
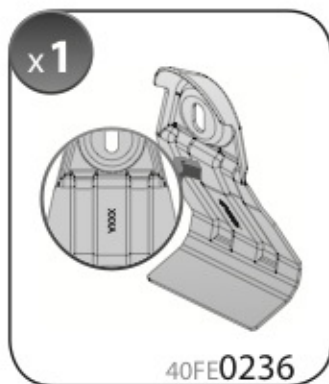
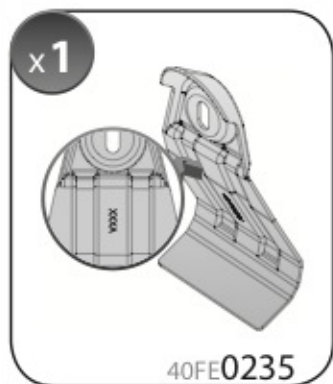
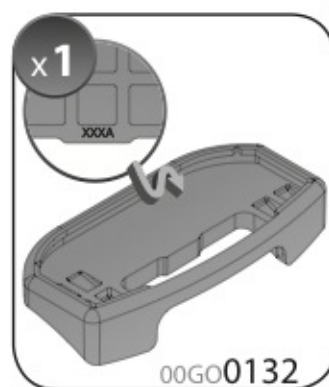
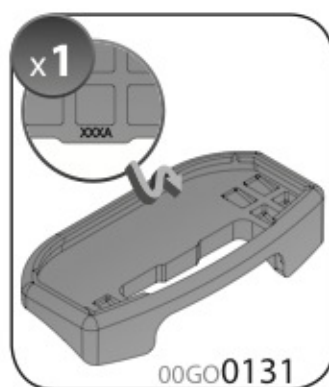
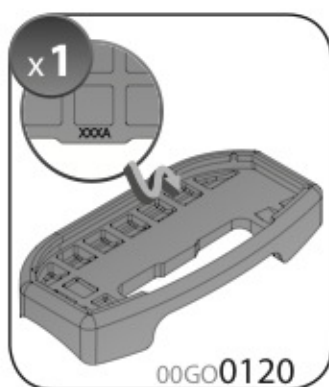
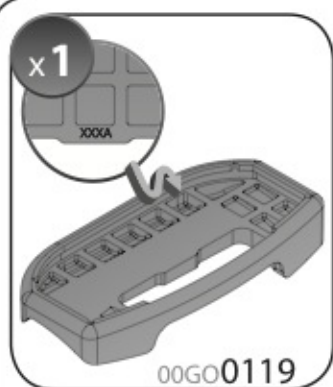


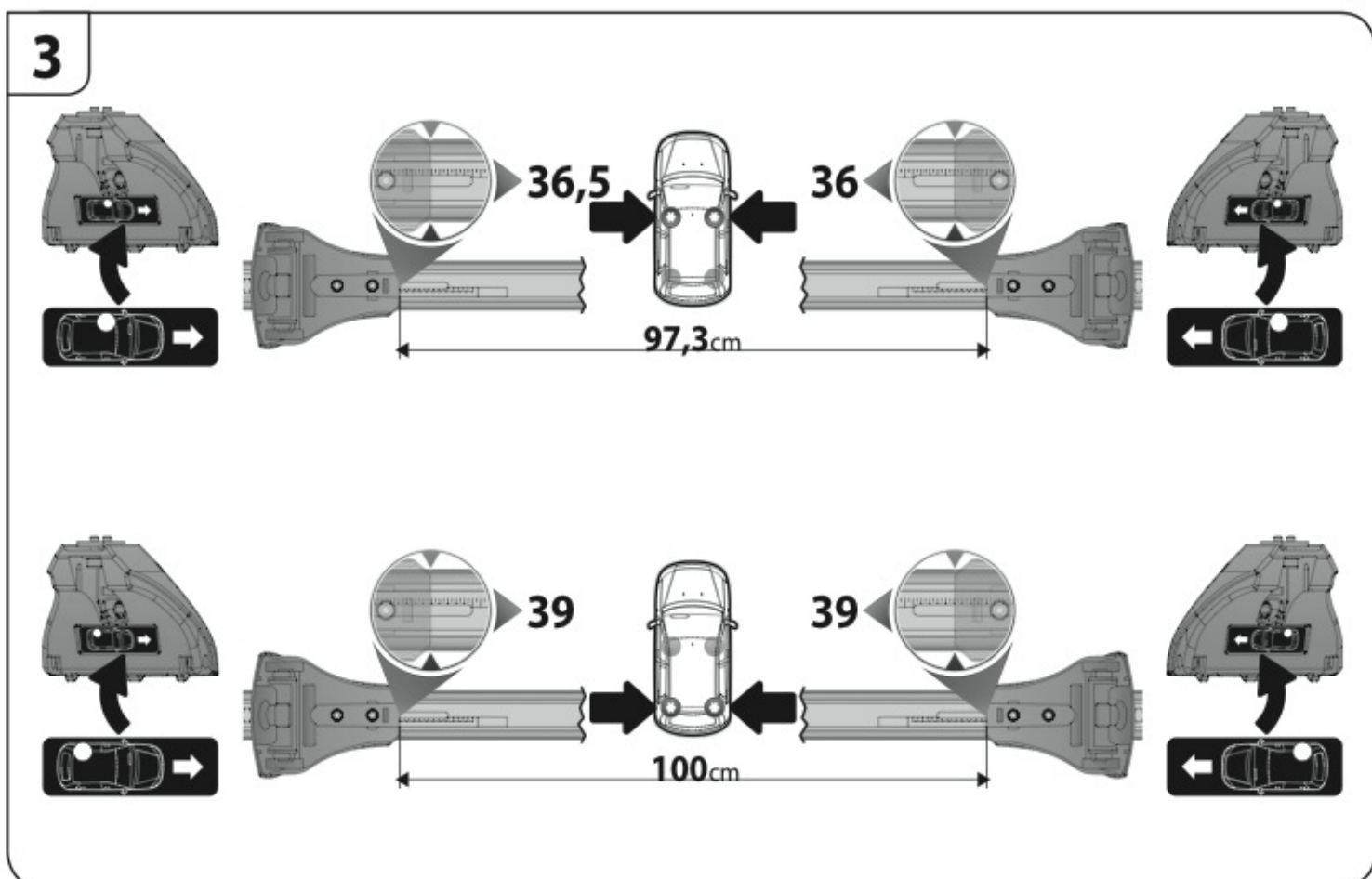
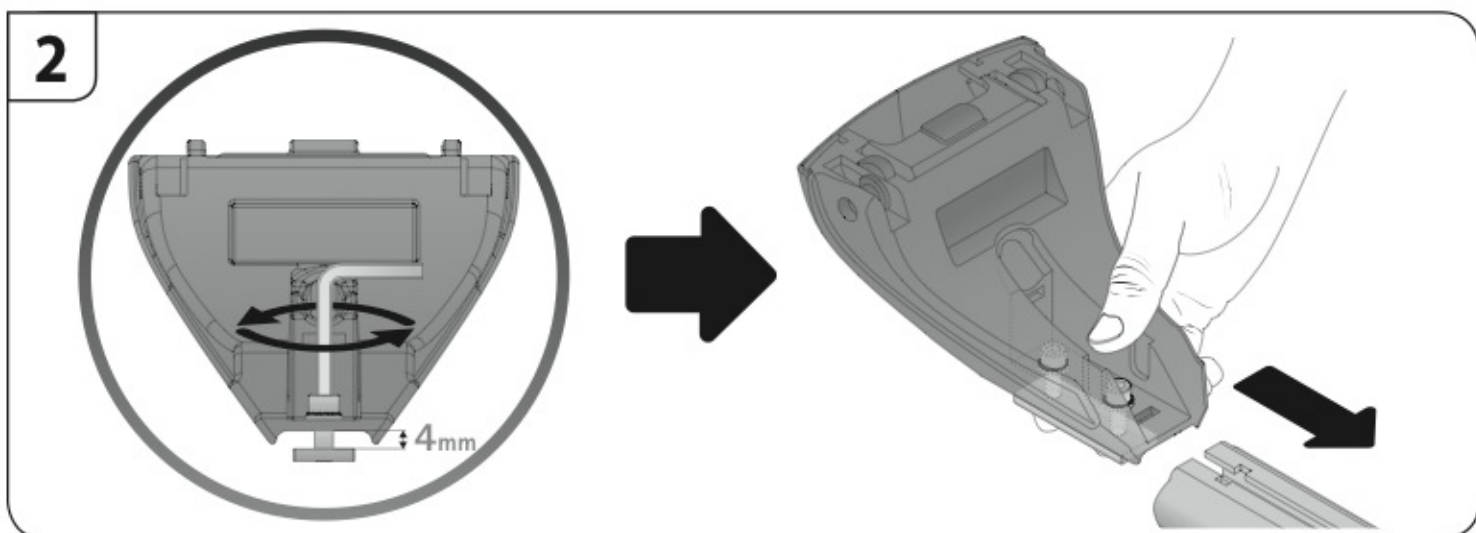
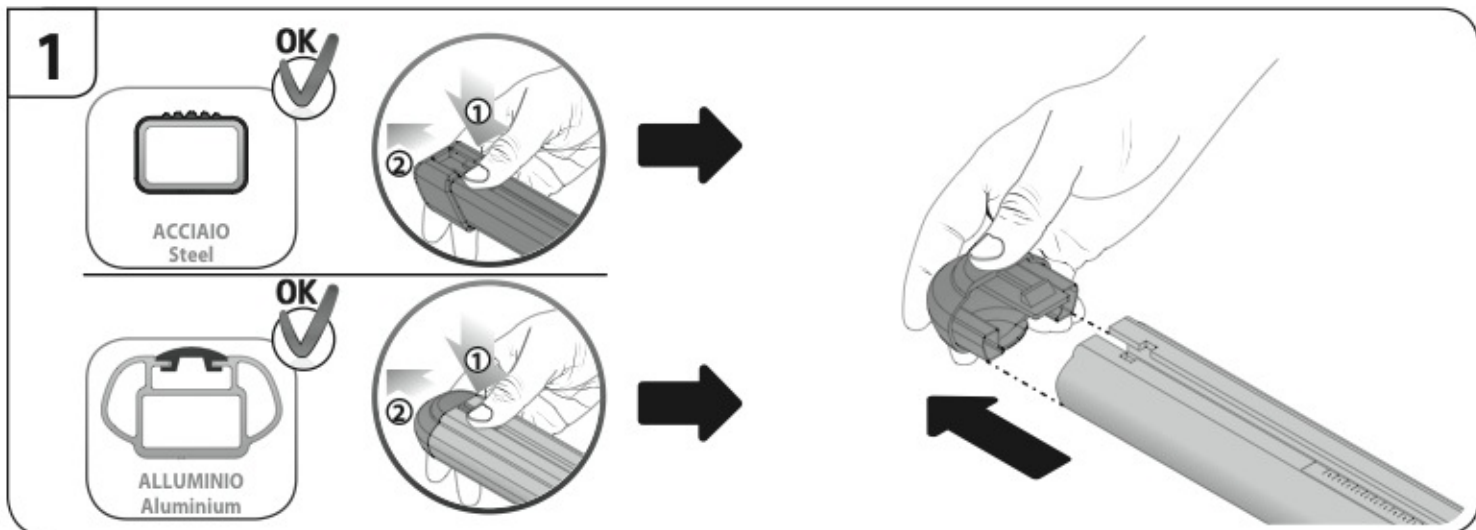


# LAND ROVER DISCOVERY SPORT

2/15 →

Art. **N21191**

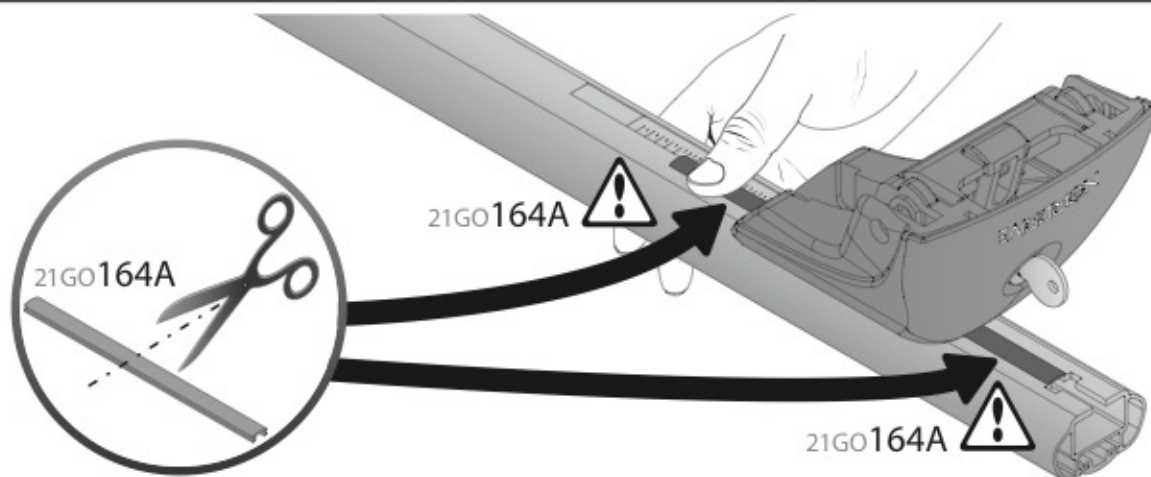




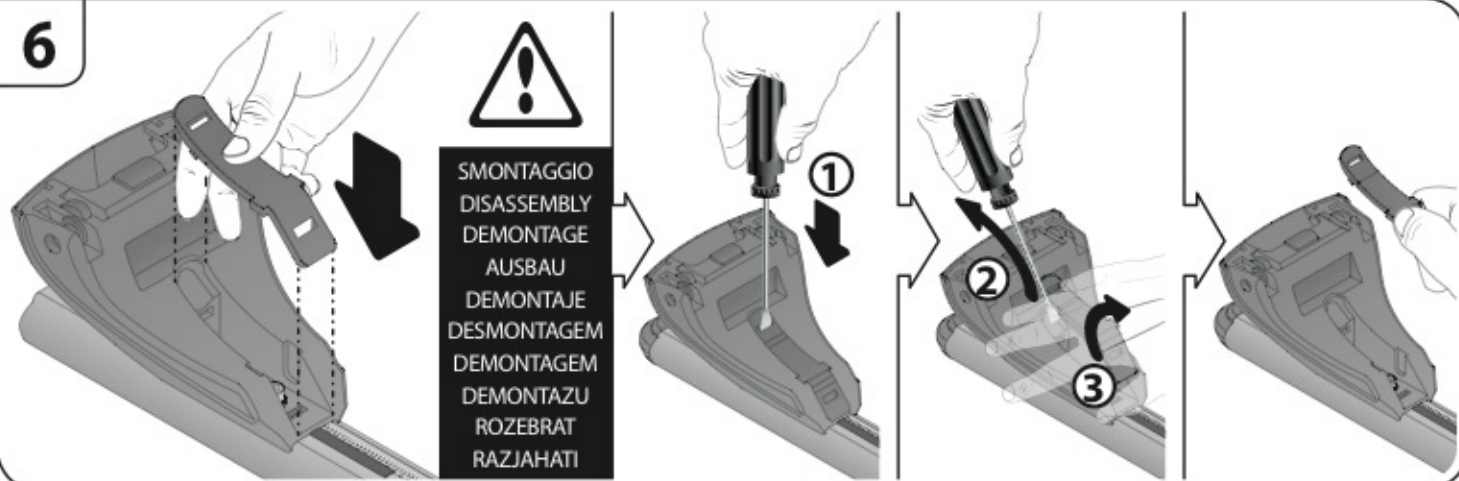
4



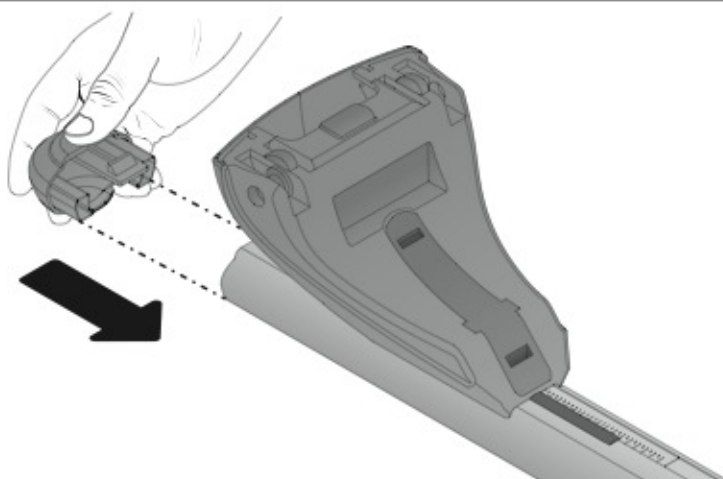
5

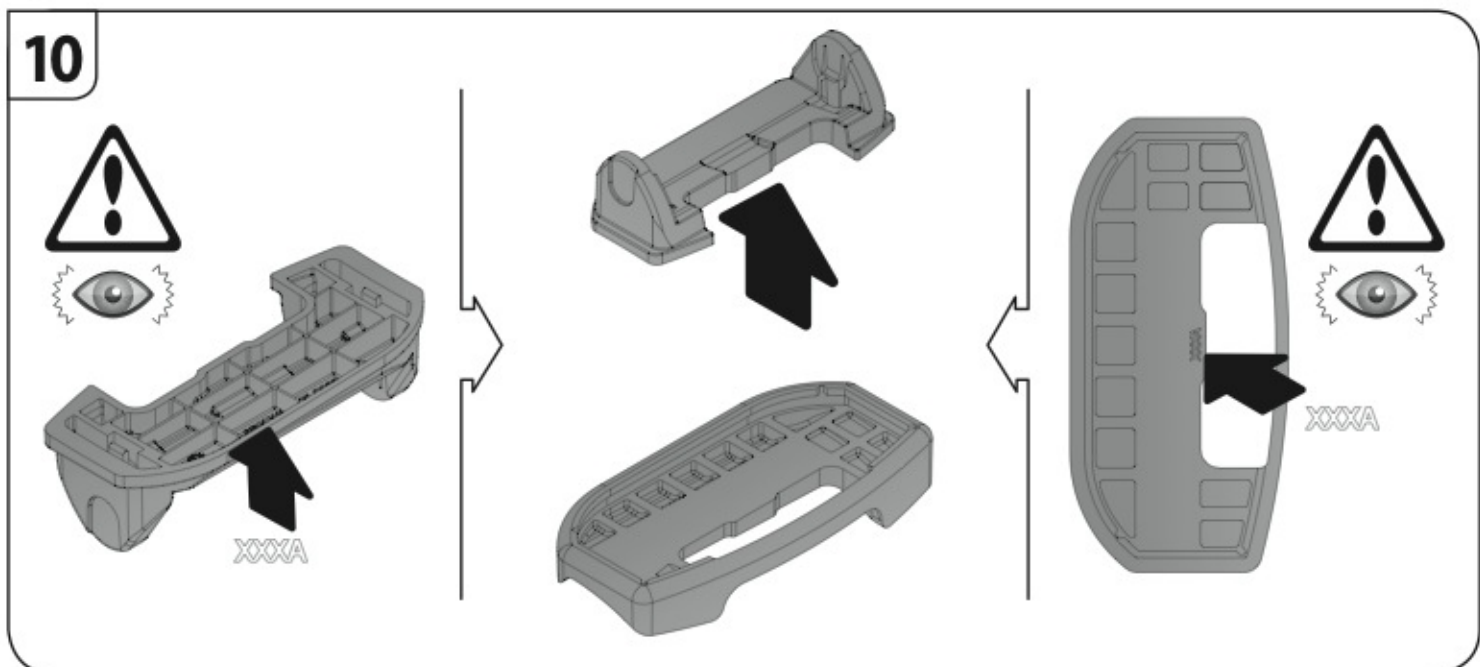
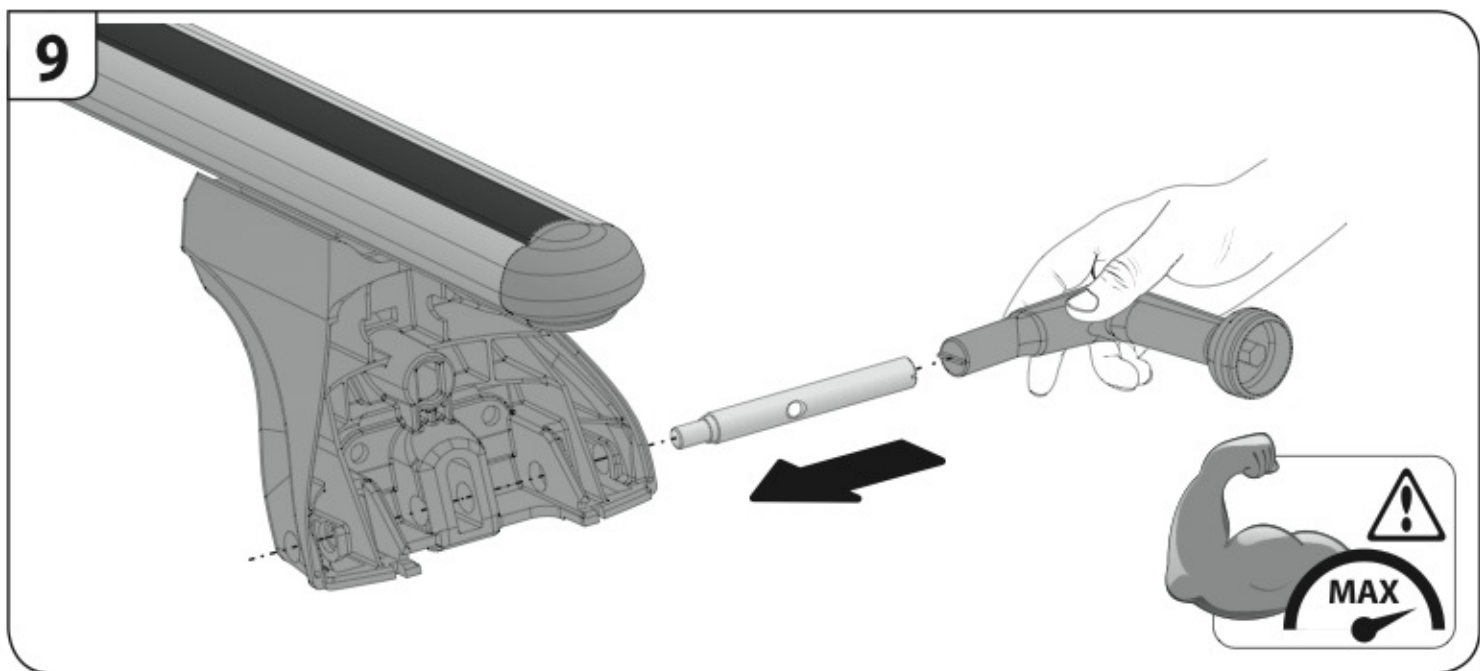
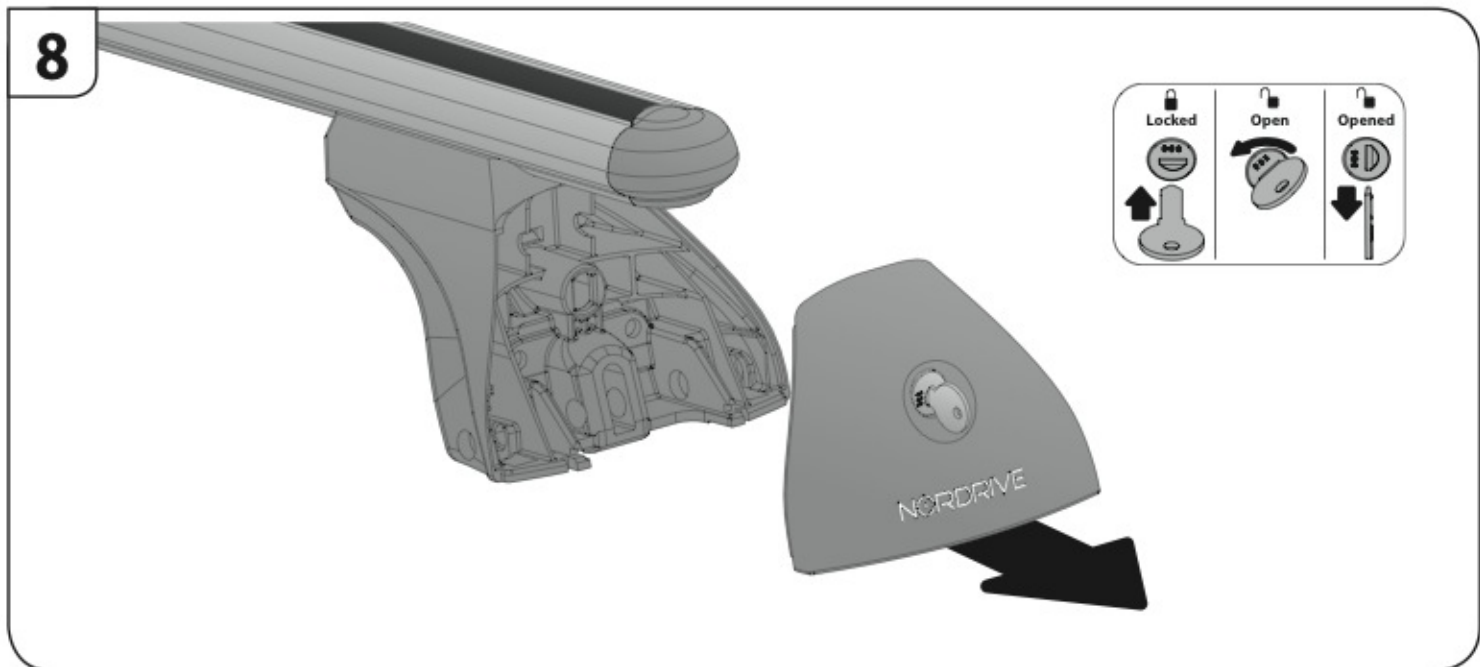


6

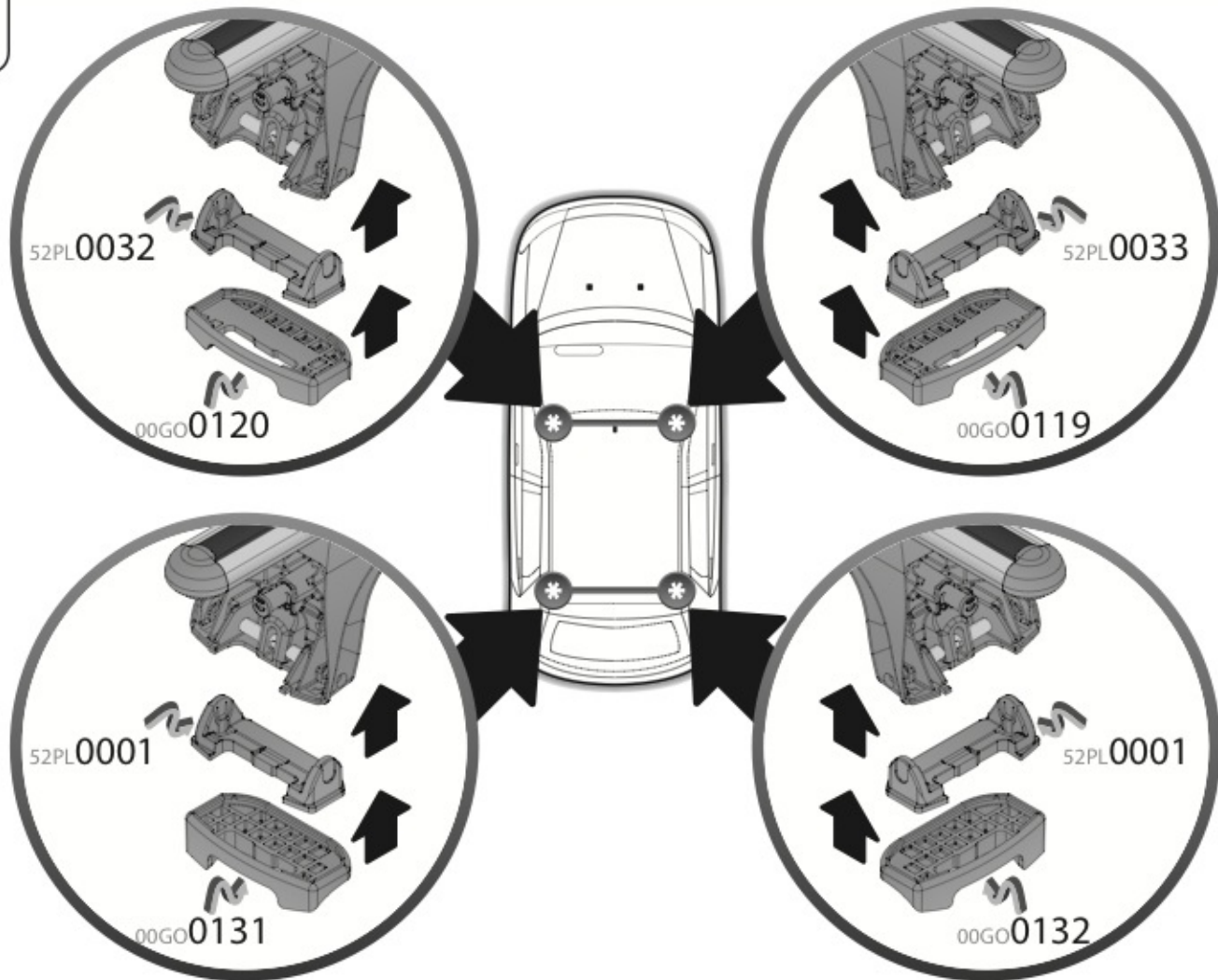


7

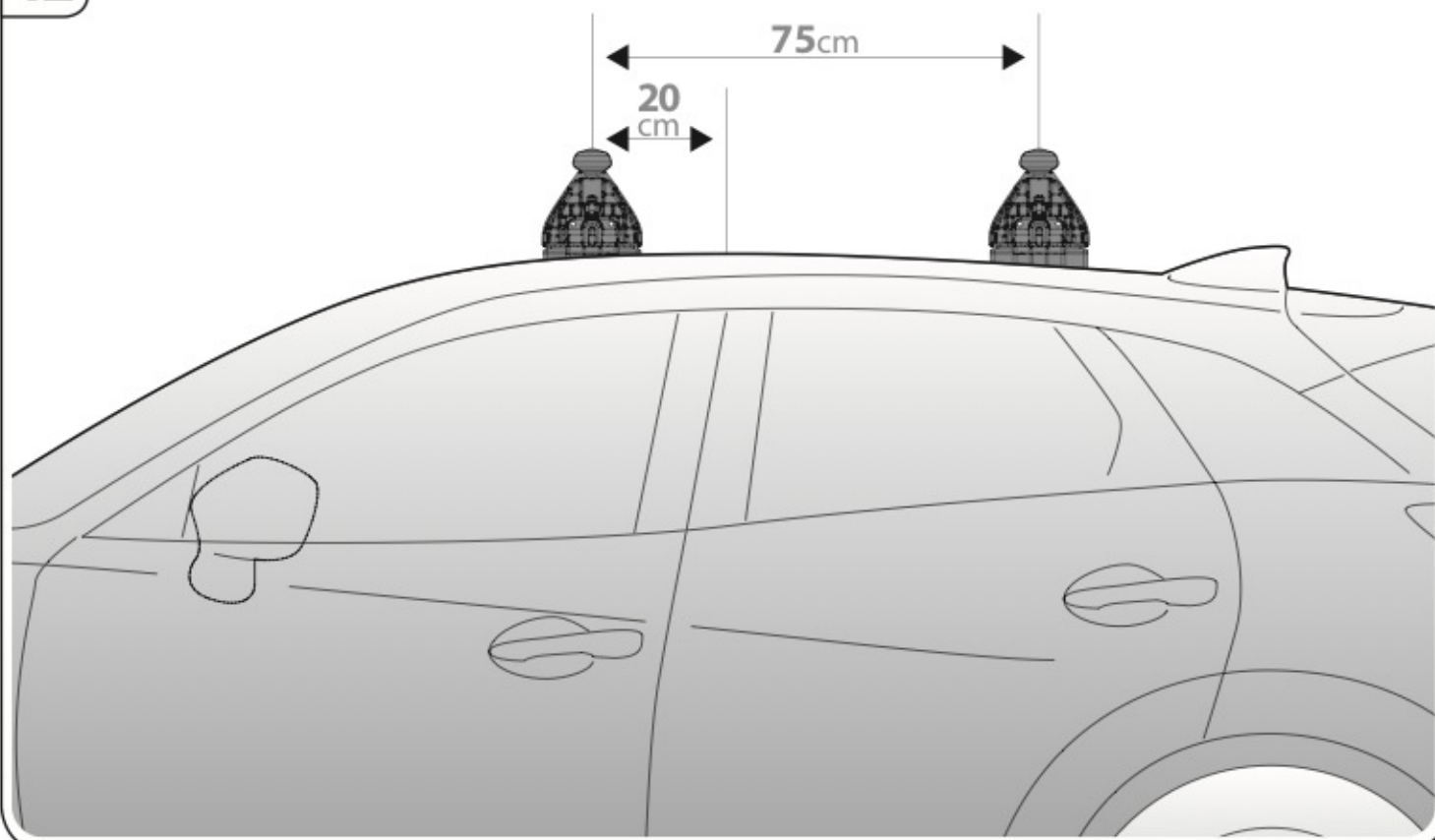




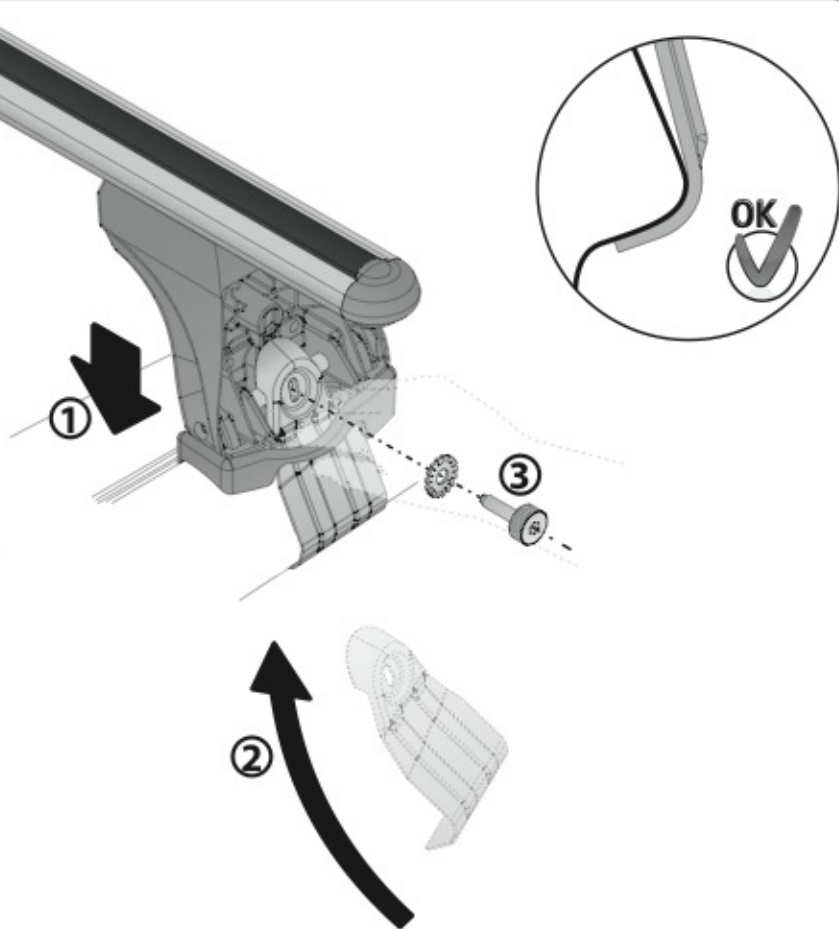
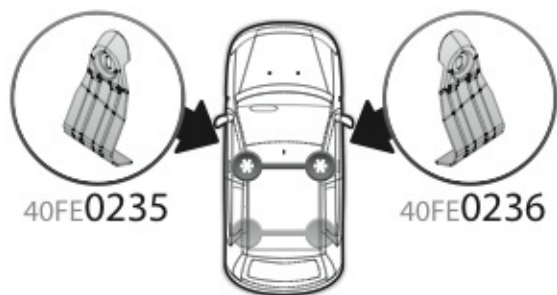
11



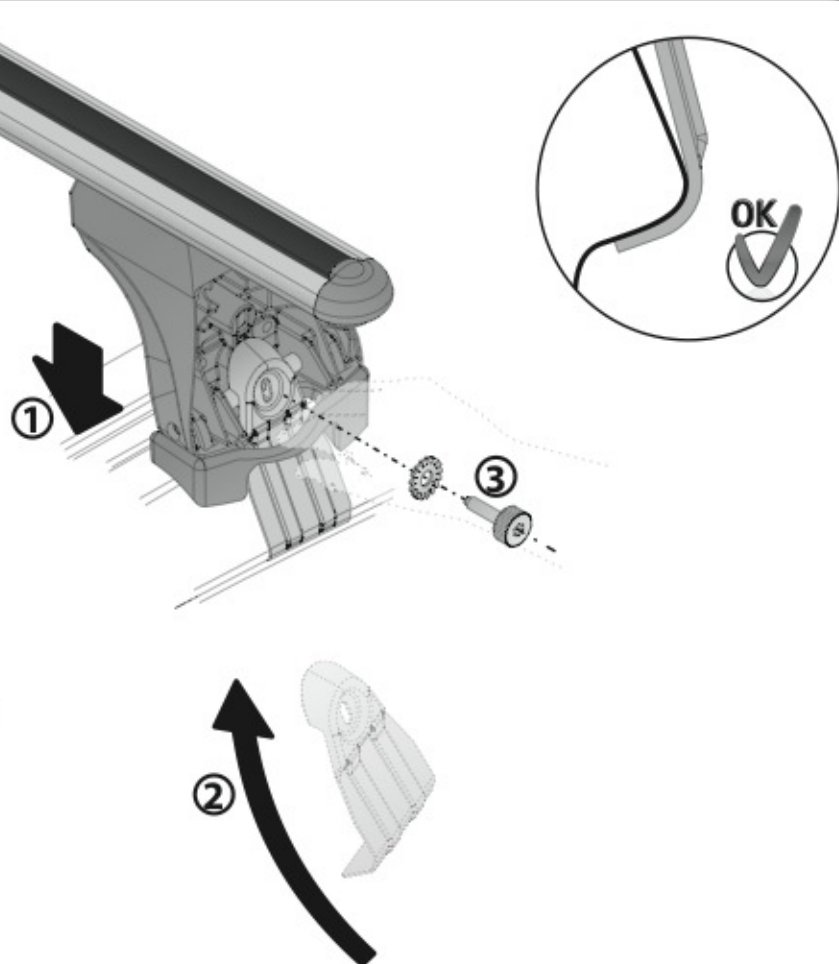
12



13

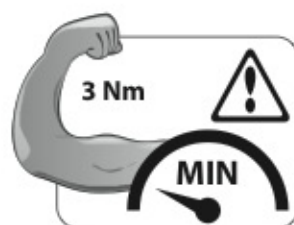
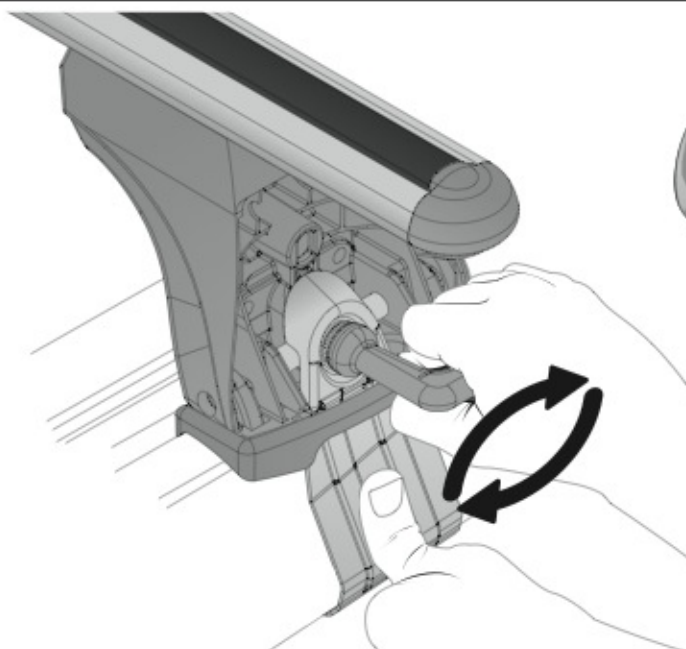
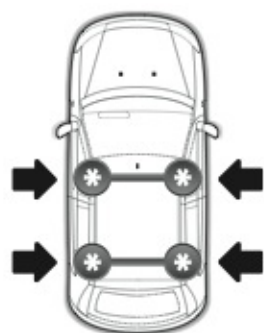


14

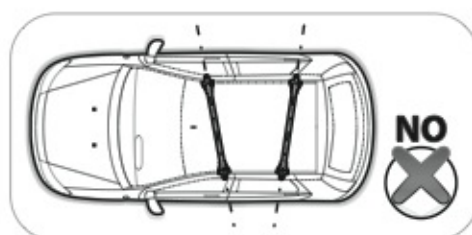
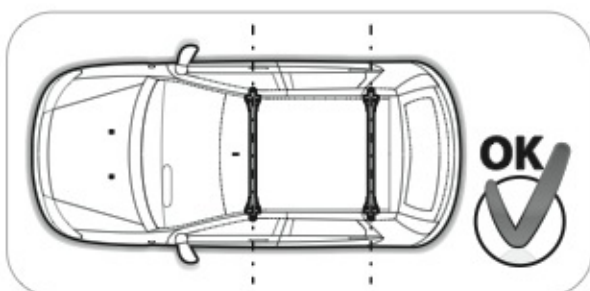
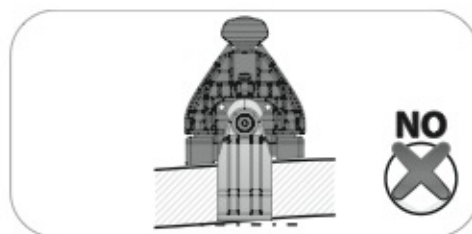
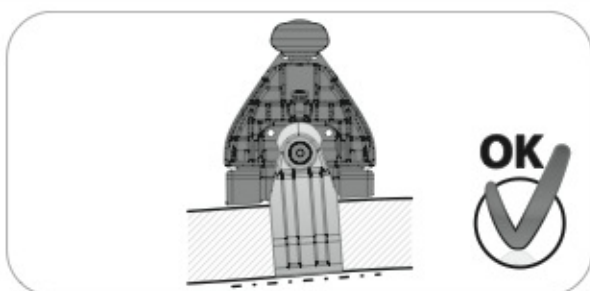




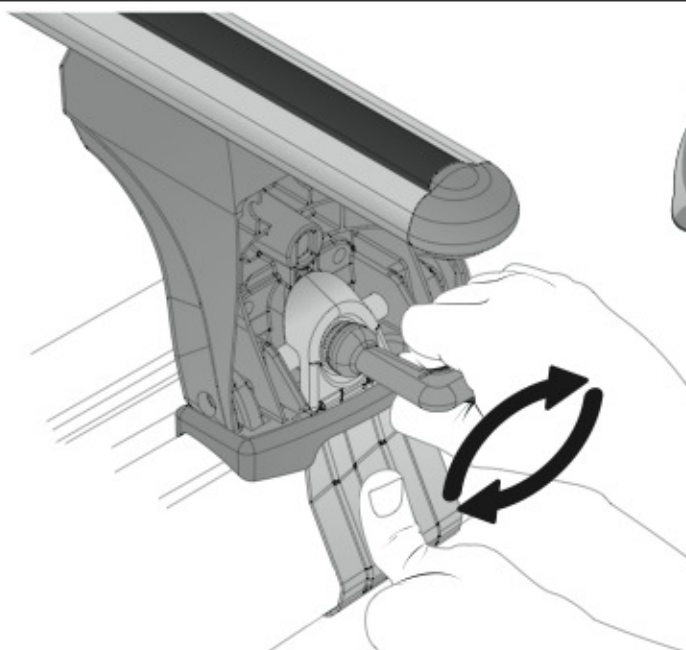
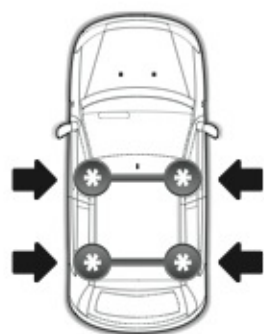
15



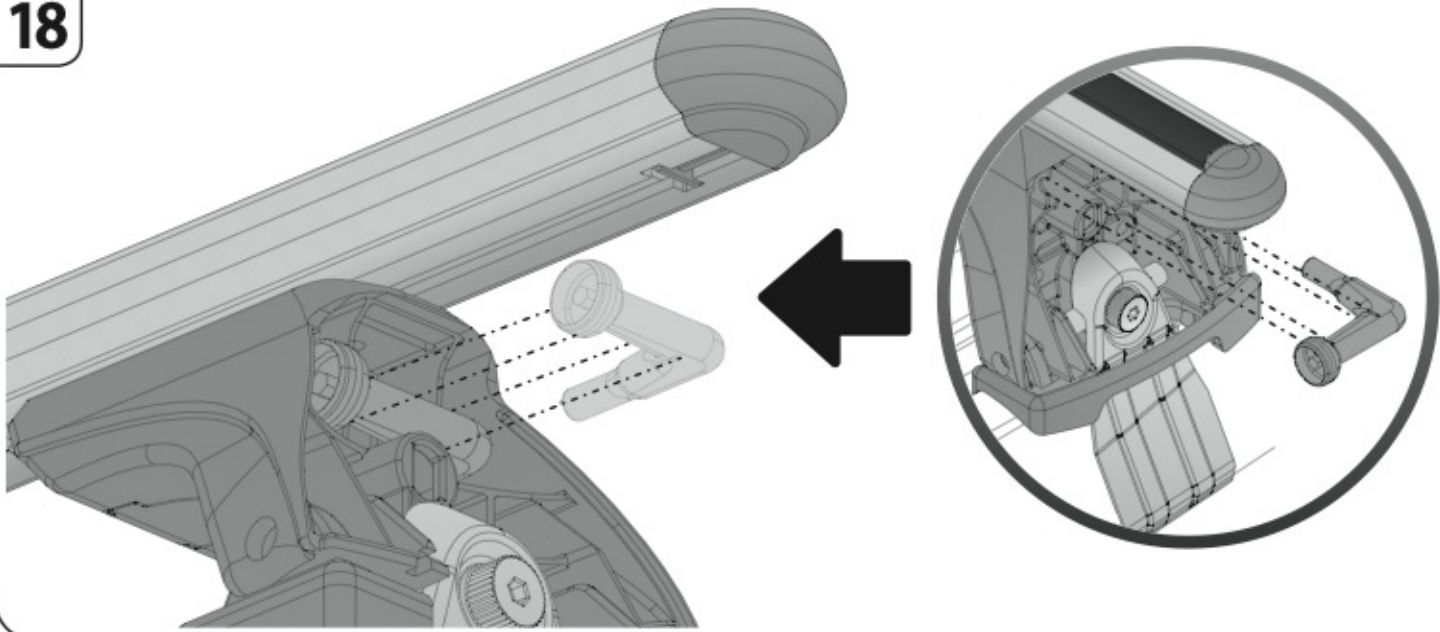
16



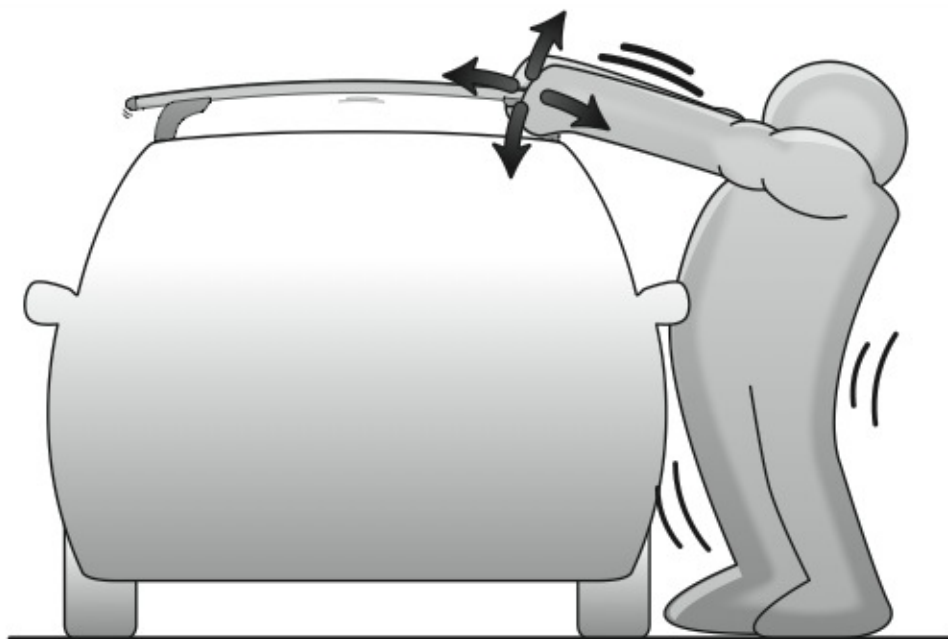
17



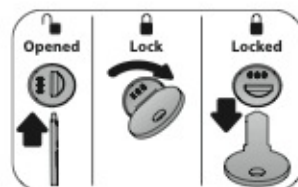
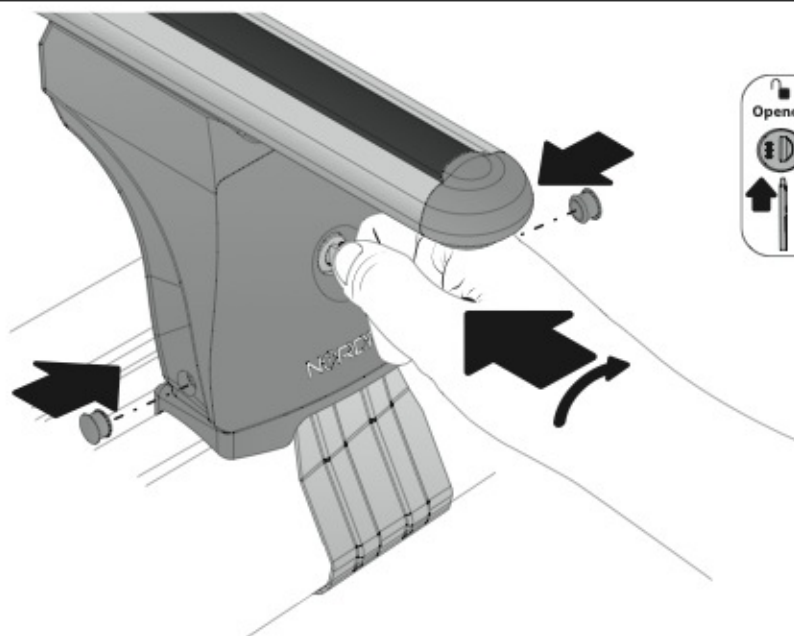
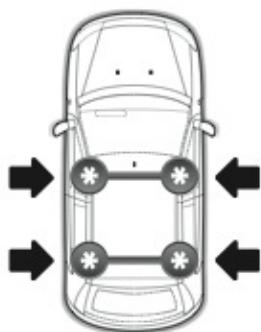
18



19



20





# EVOS

**NORDRIVE**<sup>®</sup>  
TRANSPORT SOLUTIONS

is a registered trade mark of

**LAMPA S.p.A.**

Via G. Rossa 53/55, 46019 Viadana (MN) ITALY

Tel. +39 0375 820700

UNI EN ISO 9001:2008 Certified Company

**[www.nordrive.it](http://www.nordrive.it)**

**[www.lampa.it](http://www.lampa.it)**